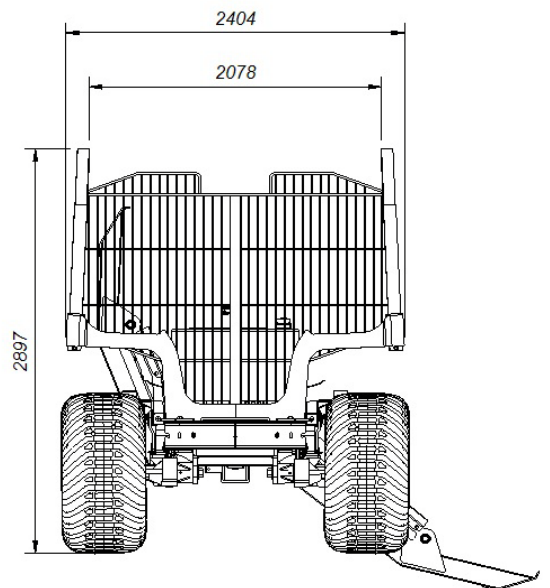
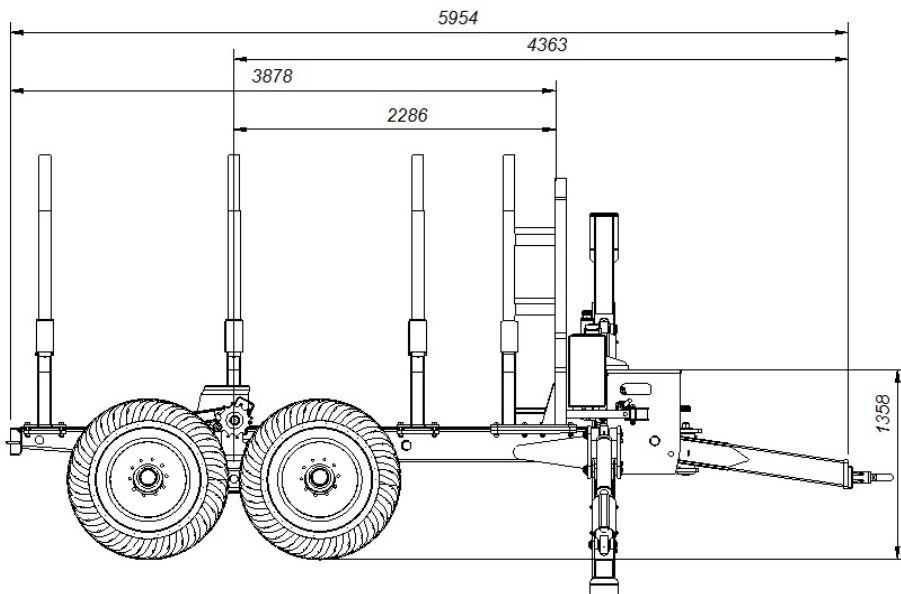


KRONOS

150 / 150 4WD



Model	150H 4WD
Axle weight, kg	15 000
Cross section area, m ²	3,2
Length of load area, mm	4000 (3800 with tank)
Overall length, mm	6100
Overall width, mm	2500
Ground clearance, mm	600
Turning angle of the drawbar	±33°
Turning angle of the boggie	±20°
Own weight, kg	4100-4900
Max drawbar weight, kg	3000
Tire size	600 / 50 -22.5 ELS
Tire pressure, bar	2,7
Adjustable bolsters, pcs.	2
Fixed bolsters, pcs.	1
Drawbar control	2x DA hydraulic cylinder
Brakes	2 Wheels, Standard
Operating pressure for the roller drive, bar	185
Flow requirement, l/min	45-100
Tractive Effort	1.6tonnes



**Optional: Built in PTO Driven
71cm³ Crane Pump**

**New Metallic
Color**

Large Load Space

Optional: Crane Support Legs

**Optional: Frame
Lengthening + 70cm**

**Moveable Forest Machine
Type Bolsters**

100mm Hubs

**Standard: Brakes
on 2 Wheels**

**Optional: Brakes
on 4 Wheels**

**Fully Welded Strong Box-
Section Body**

**Rolls Effortlessly Both Empty
and Fully Loaded**

Standard: Load Lashing Point 4pcs

**Standard:
600/50-22,5 Tires**

KRONOS

Manufacturer:

Wikar Oy Ab

68500 KRUUNUPYY

Tel. +358 (0) 6 823 2300

Fax +358 (0) 6 834 5870

www.kronos.fi