

# KRONOS

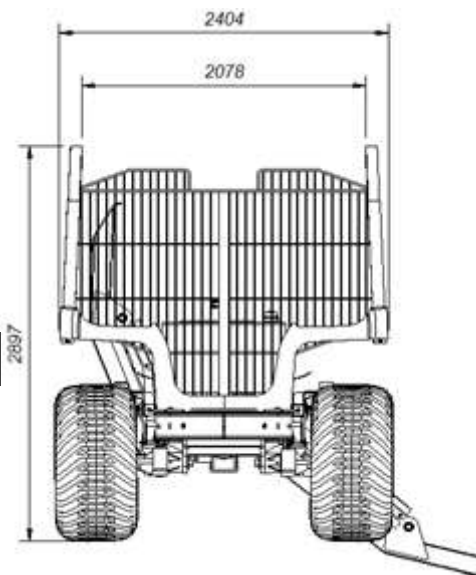
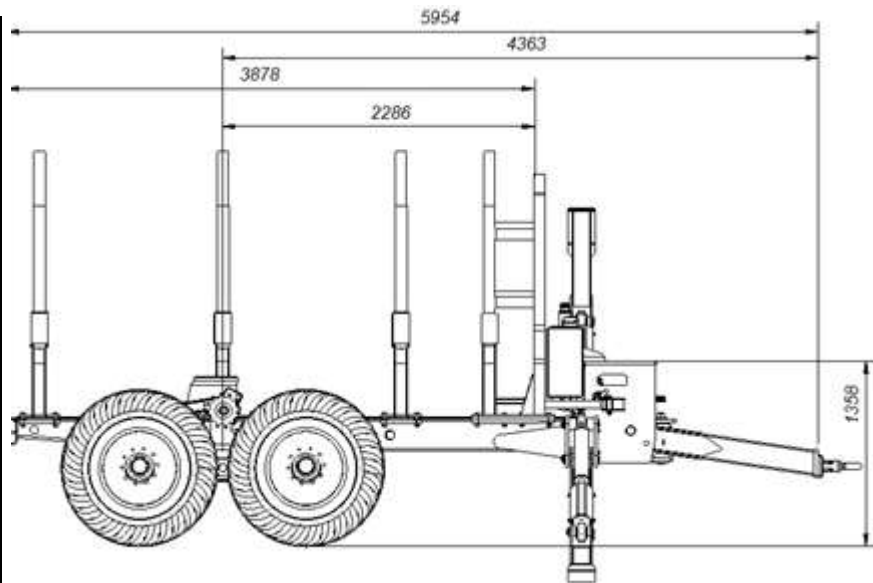
## KRONOS 150 2WDH - Trailer



**KRONOS-new 150 2WDH Hub-driven trailer. The model has two Black Bruin BB5 1600cm<sup>3</sup> hub motors in the front wheels. There is an option for Rexroth 71cm<sup>3</sup> pump including tank, which will take care of the required oil flow/pressure. The grip of the tires works smoothly, thanks to the automatically operated differential lock. You will have a possibility to choose between normal pulling power of 18 000N and a booster pulling power of 26 000N. Brakes can be chosen to front wheels or to front and rear wheels. We can deliver the trailer with hydraulic or pneumatic brakes**

# KRONOS 150 2WDH - Trailer

| Technical data                     | 150 2WDH               |
|------------------------------------|------------------------|
| Axle weigh, kg                     | 15 000                 |
| Cross section area, m <sup>2</sup> | 3,2                    |
| Length of load area, mm            | 4000                   |
| Overall length, mm                 | 6100                   |
| Overall width, mm                  | 2500                   |
| Ground clearance, mm               | 600                    |
| Turning angle of the drawbar, °    | ±33°                   |
| Turning angle of the bogie, °      | ±20°                   |
| Own weight, kg                     | 4200-4900              |
| Max drawbar weight, kg             | 3000                   |
| Tire size                          | 600 / 50 -22.5 ELS/ TR |
| Tire pressure, bar                 | 2,7                    |
| Adjustable bolsters, pcs.          | 4                      |
| Fixed bolsters, pcs.               | -                      |
| Drawbar control                    | 2 pcs. Hydr. cylinder  |
| Brakes                             | 2 pcs, Standard        |
| Working pressure, bar              | 300                    |
| Pump flow l/min = km/h             | 100 = 5,6              |
| Thrust max, N                      | 26 000                 |



Large Load Space

Optional: Crane Support Legs

Moveable Forest Machine Type Bolsters

Standard: Load Lashing Point 4pcs

Standard: 600/50-22,5 Tires

Fully Welded Strong Box-Section Body

Standard: Brakes on 2 Wheels

Optional: Brakes on 4 Wheels

Optional: Built in PTO Driven 71cm<sup>3</sup> Crane Pump

BB5-hub motor

